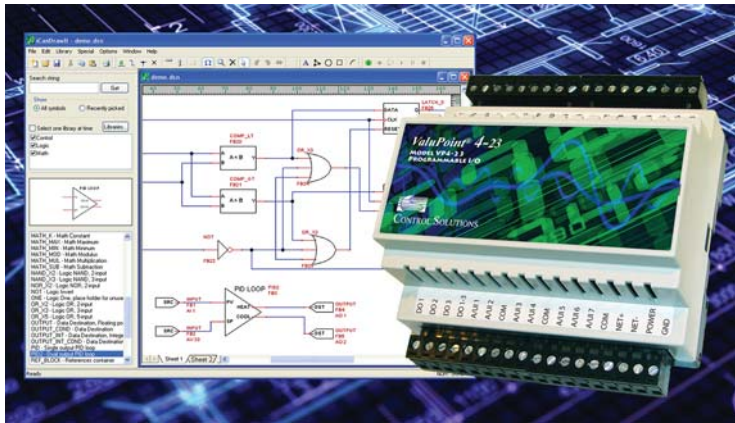




ValuPoint®

Slave I/O or Programmable Control



Control Solutions' Model VP4-2330 ValuPoint® Programmable I/O for BACnet MS/TP is a BACnet Application Specific Controller (B-ASC) that includes programmable control.

Control Solutions' Models VP4-2310 and VP4-2810 ValuPoint® Programmable I/O for Modbus RTU operate as master or slave for I/O expansion, or as a controller with soft PLC capability.

ValuPoint® support software, provided at no cost, includes the configuration tool and i.CanDrawIt graphical programming tool.

Hardware Features of VP4-2310, VP4-2330

- 14 Analog/universal inputs, software selectable types
 - 0-10VDC, thermistor, discrete, dry contact, pulse
 - 0.1% reference, up to 16-bit resolution
 - Continuously self-calibrating sigma-delta converter
 - Non-volatile totalizing count inputs (10Hz/all, 1kHz/2 channels)
- 3 Analog outputs
 - 4-20mA (0-20mA), 8-bit resolution, 500 ohm load max.
- 6 Discrete outputs
 - Form A relay, 2A @ 120VAC, 2A @ 30VDC

Hardware Features of Model VP4-2810

- 12 Discrete Inputs
 - Dry contact closure to ground or voltage sensing to 30VDC
 - Non-volatile totalizing count inputs (10Hz/all, 1kHz/2 channels)
- 16 Discrete outputs
 - 30VDC 1A open drain FET

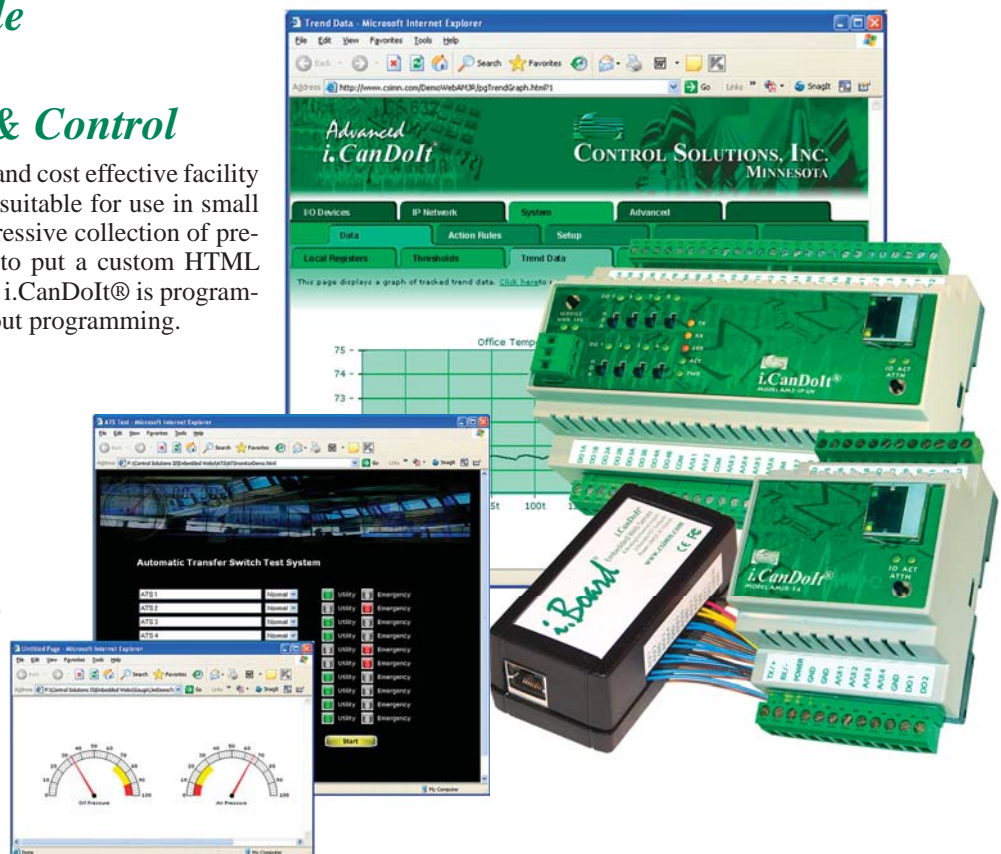
All ValuPoint Models

- Battery backed real time clock/calendar
- BACnet MS/TP at 9600 to 76800 baud or Modbus RTU
- Hardened RS-485 port
- 128KB non-volatile EEPROM configuration file capacity
- 64K Flash for User Program
- ARM 32-bit processor, 512K Flash, 56K RAM
- Powered by 18-30VDC or 24VAC 50/60 Hz, 0.3A @ 24VDC
- DIN rail mounting, 100mm H x 105mm W x 60mm D
- -40C to +70C, 5%-95% RH non-condensing
- Certifications: FCC, CE, UL 916 Listed (VP-23xx)

i.CanDoIt® Programmable Web Servers with I/O for Powerful Monitoring & Control

The goal of i.CanDoIt® is to provide a simple and cost effective facility management and remote monitoring solution suitable for use in small sites. i.CanDoIt® web servers include an impressive collection of pre-programmed web pages, and allow the user to put a custom HTML "wrapper" around the embedded web site. The i.CanDoIt® is programmable, even though it is rather powerful without programming.

- **Embedded Web Server**
- **Alarm Monitoring**
- **Fill-in-the-blank Alarm Templates**
- **Programmable Alarm Responses**
- **Email Event Notifications**
- **Remote Data Monitoring**
- **Data Logging & Trending**
- **Automatic Email Delivery of Data Logs**
- **Time & Date Scheduling**
- **Astronomical Clock**
- **Field Programmable**
- **User Web Pages**
- **Support for Multiple Protocols**
- **Analog, Universal, Discrete I/O**





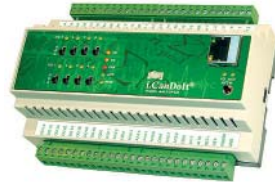
Embedded Web Servers with Programmable I/O

i.CanDoIt®

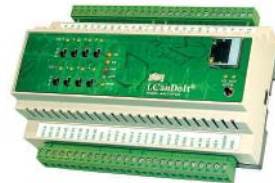
Web I/O or Programmable Control



AddMe Jr. Server (AMJ14IP)
12 A/UI, 2 DO
Modbus RTU gateway built in
10/100 Ethernet, Modbus TCP, SNMP
Advanced i.CanDoIt features
(BACnet IP version also available)



AddMe III Server (AM3IPMB)
18 A/UI, 2 PI, 4 AO, 8 DO
Modbus RTU gateway built in
10/100 Ethernet, Modbus TCP, SNMP
Advanced i.CanDoIt features



AddMe III Server (AM3IPBN)
18 A/UI, 2 PI, 4 AO, 8 DO
BACnet IP Server & I/O with
COV subscription, BACnet IP client,
Advanced i.CanDoIt features



i.Board Server (IB100)
8 A/UI Universal Inputs
Modbus RTU Master
10/100 Ethernet, Modbus TCP, SNMP
Advanced i.CanDoIt feature subset

Modbus I/O

ValuPoint®

Modbus RTU Slave I/O or Programmable Control



ValuPoint VP4-0610
2 AI, 2 DI, 2 DO
Modbus RTU slave I/O
Field programmable/Soft PLC
UL 916 Listed



ValuPoint VP4-2310
14 A/UI, 3 AO, 6 DO
Modbus RTU slave I/O
Field programmable/Soft PLC
UL 916 Listed



ValuPoint VP4-2810
12 DI, 16 DO
Modbus RTU slave I/O
Field programmable/Soft PLC

BACnet Programmable I/O

ValuPoint®

BACnet MS/TP Slave I/O or Programmable Control



ValuPoint VP4-0630
2 AI, 2 DI, 2 DO
BACnet MS/TP slave I/O
Field programmable/Soft PLC
UL 916 Listed



ValuPoint VP4-2330
14 A/UI, 3 AO, 6 DO
BACnet MS/TP slave I/O
Field programmable/Soft PLC
UL 916 Listed



MS/TP Support Tools

ValuPoint MS/TP products are supported by our intelligent USB to MS/TP adapter that will let you connect your PC to a device running at any standard MS/TP baud rate, including 76800, something a PC cannot otherwise do.

Technical info: csimn.com

Get complete product details, data sheets, web demos, software downloads, PICS and XIF files, and more.

Pricing info: buy.csimn.com

We sell direct and ship world wide. To see wholesale pricing, register at www.shopcsimn.com.



CONTROL SOLUTIONS, INC.

380 OAK GROVE PKWY, SUITE 100 • PO BOX 10789
ST. PAUL, MN 55110-0789
VOICE (651) 426-4410 • FAX (651) 426-4418
TOLL FREE 1-800-872-8613