

IB-110 Internet I/O Board



IoT - Internet of Things



**Simple low-cost web enabled I/O
for remote monitoring and control**

- **Remote Monitoring and Control**
- **Stand-Alone Alarm Responses**

i.CanDoIt® Internet I/O Board

Control Solutions' **IB-110 Internet I/O Board** packs a "best of" collection of web enabled features from the *i.CanDoIt* family into a tiny, low-cost, stick-it-anywhere box.

Model IB-110 includes powerful web based features, including:

- Web based configuration and monitoring
- Template rule generation for traps, emails, output triggers
- Data trending with automatic graph generation
- Email notification of events
- Programmable with Script Basic
- Web client ready to connect to LogMyData.com
- Modbus TCP client and server concurrently
- Modbus RTU Master
- Integral web server with Flash file system
- User designed web pages with CGI access to data points
- SNMP v2 agent for Get/Set access to data points
- SNMP trap generation based on rules
- Template rule generation for traps, emails, output triggers
- Dynamic DNS support
- DNS host lookup, DHCP
- FTP data file access & firmware upgrades

FEATURES of Model IB-110

- Web based configuration & operation
- Ethernet 10/100BaseT protocol support
HTTP • Modbus TCP • SNMP
- User web pages
- email event notifications
- HTTP client data logging capable
- Programmable using Script Basic
- 8 Analog/universal inputs, soft configurable (no jumpers)
 - 0-10VDC, Thermistor, dry contact
 - 10-bit resolution
- 1 Serial Port
 - EIA-485
 - Modbus RTU Master
- Powered by 18-30VDC (0.15A @ 24VDC) or 24VAC
- 38mm H x 52mm W x 103mm D
- Industrial hook and loop self-stick mounting
- Operating temperature -40°C to +85°C
- Humidity 5% to 90% non-condensing
- FCC Class A, CE Mark



www.csimn.com

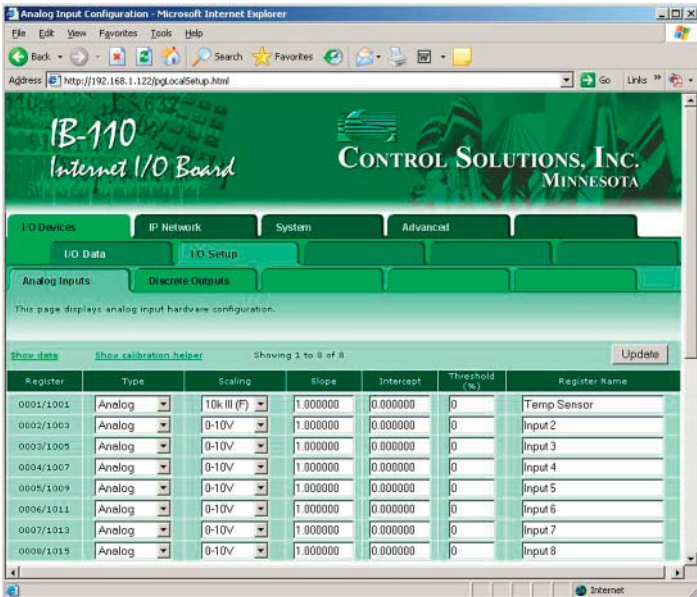


i.CanDoIt® Internet I/O Board

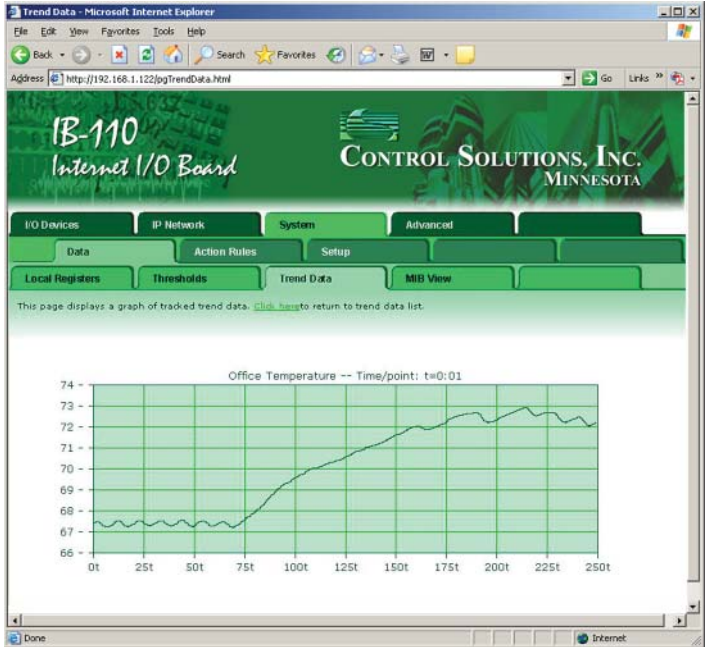
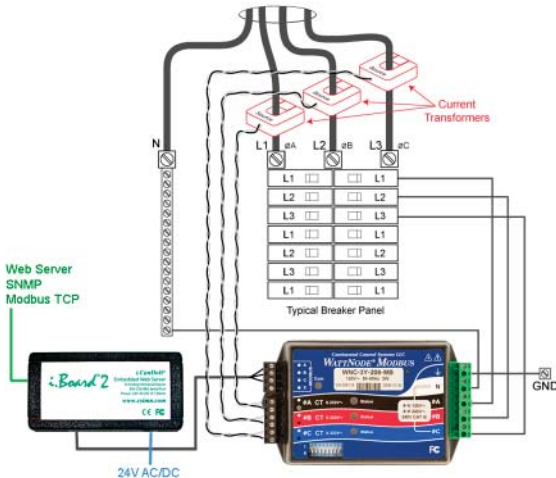
Control Solutions' *i.CanDoIt® Model IB-110* packs a tiny package with the most commonly used capabilities in our growing family of popular web appliances.

Functions:

- Remote Monitoring & Alarms
- Event Notification via SNMP traps or email
- User Programmable Control Algorithms
- User Programmable Web Pages
- Web Based Remote Monitoring via LogMyData.com



Example power monitoring application using IB-110 and Modbus RTU power meter:



The *i.CanDoIt® Internet I/O Board* is available now. Visit www.csimn.com for more information, a guided tour of the web server, and an online demo copy of the entire web site contained in *Model IB-110*.

- Visit our web site for
- Full details
 - User Guides & Software
 - Pricing
 - On-line Ordering



www.csimn.com



CONTROL SOLUTIONS MINNESOTA
 PO BOX 10789
 ST. PAUL, MN 55110-0789
 VOICE (651) 426-4410 • FAX (651) 426-4418
 TOLL FREE 1-800-872-8613

© 2019 Control Solutions, Inc. *i.CanDoIt®* is a registered trademark of Control Solutions, Inc. Modbus® is a registered trademark of Modbus Organization.